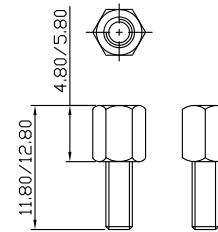


PCB LAYOUT



MATERIALS:

- 15F Housing: PBT (UL 94V-0), Blue / Black
DVI Housing: PA66 (UL 94V-0), Natural White
- Cover: PA66 (UL 94V-0), Natural White
- Contacts: Brass
- Shell: SPCC
- Rivet: Copper Alloy(Lead ≤ 40000PPM)
- Board Lock: SPCC
- L Bracket: SPCC
- Screw: SPCC
Or Copper Alloy(Lead ≤ 40000PPM)

FINISH:

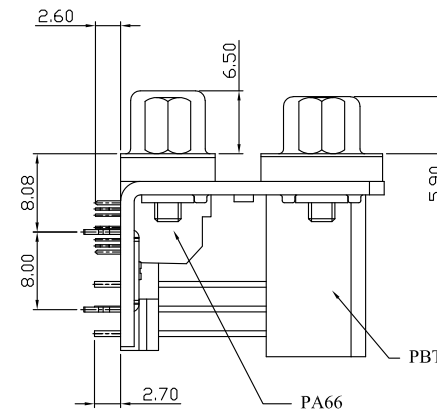
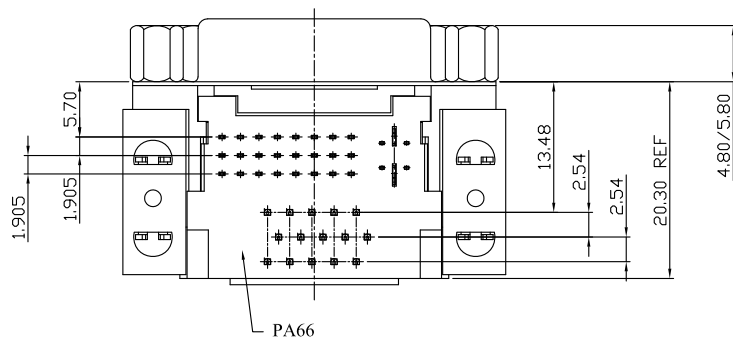
- 15F Contacts: Gold Flash Plated on Contact Area
Tin Plated on Solderails
Nickel Under Plated Over All
- DVI Contacts: Gold Flash Plated on Contact Area
Tin Plated on Solderails
Nickel Under Plated Over All
- Shell: Nickel Plated
- Rivet: Nickel Plated
- Board Lock: Tin Plated
- L Bracket: Nickel Plated
- Screw: Nickel Plated

(VGA 15F)SPECIFICATION:

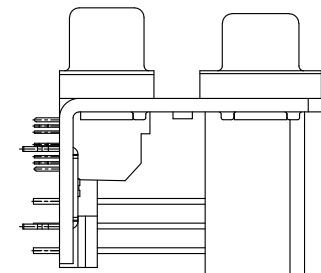
1. Current Rating: 2 Amp
2. Dielectric Withstanding Voltage: AC 500V For 1 minute
3. Insulation Resistance: 5000MΩ Min
4. Contact Resistance: 30mΩ Max.
5. Operating Temperature: -55°C to +105°C

(DVI)SPECIFICATION:

1. Current Rating: 1.5 Amp
2. Dielectric Withstanding Voltage: AC 500V r.m.s. For 60S
3. Insulation Resistance: 1000MΩ Min. at DC 500V For 60S
4. Contact Resistance: 30mΩ Max.
5. Operating Temperature: -20°C to 85°C



鉚合鎖螺絲型



鉚合型

僅供參考

XIAN YI PRECISION CO., LTD.
祥益精密股份有限公司

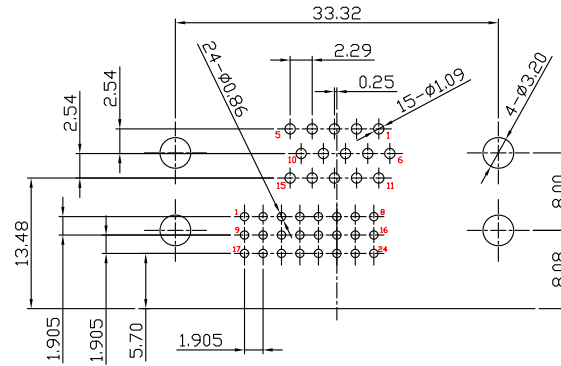
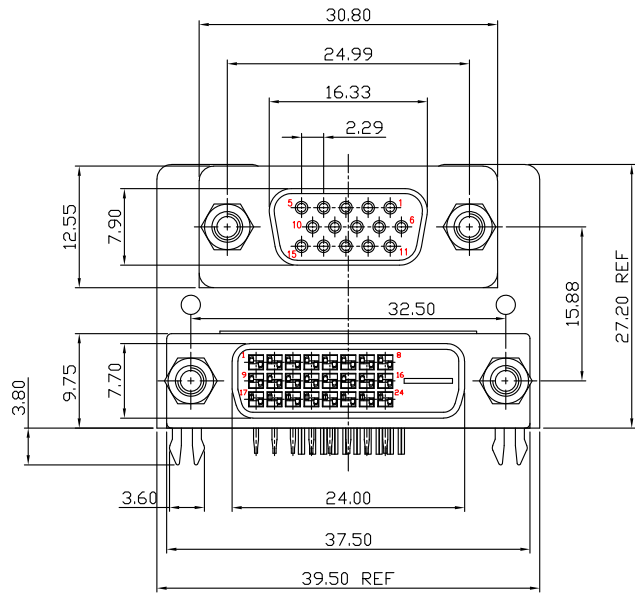
TITLE / 品名: VGA-15母座+DVI(母座) 90度 疊層 Dip Type (層距15.88)

PART NO / 料號: DE1122-1F2F-Rxxxx

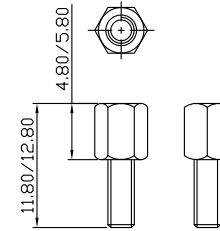
核準發行章

APPROVE / 核準	CHECKED / 審查	DRAWING / 繪圖	DRAWING NO / 圖號	UNIT / 單位	☉	X
<i>Kin</i>	<i>Chenrong</i>	<i>Chenrong</i>	K-DV-001-00	mm	SHEET 1 OF 1	

NO.	REV / 版本	圖面僅供參考, 實際尺寸以承認圖為主	2025/12/19
		修訂內容	日期



PCB LAYOUT



MATERIALS:

- 15F Housing: PBT (UL 94V-0), Blue / Black
 - DVI Housing: PA66 (UL 94V-0), Natural White
 - Cover: PA66 (UL 94V-0), Natural White
 - Contacts: Brass
 - Shell: SPCC
 - Rivet: Copper Alloy (Lead \leq 40000PPM)
 - Board Lock: SPCC
 - L Bracket: SPCC
 - Screw: SPCC
- Or Copper Alloy (Lead \leq 40000PPM)

FINISH:

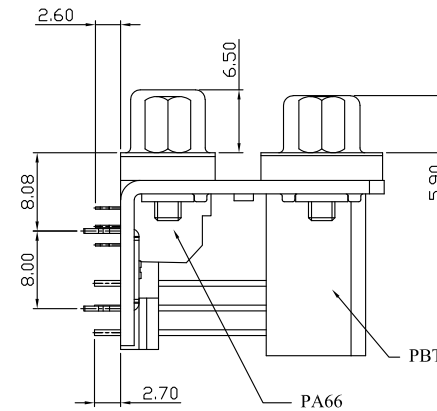
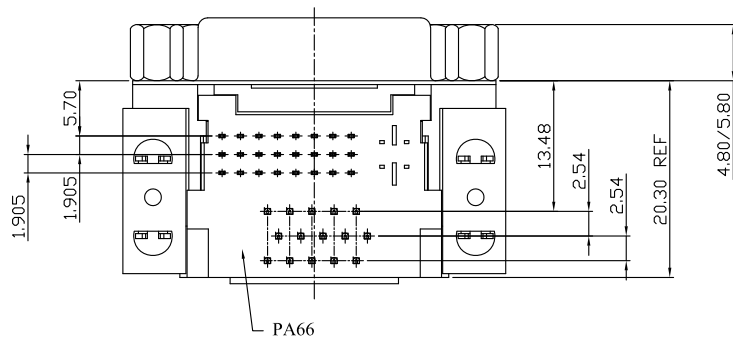
- 15F Contacts: Gold Flash Plated on Contact Area
Tin Plated on Solderails
Nickel Under Plated Over All
- DVI Contacts: Gold Flash Plated on Contact Area
Tin Plated on Solderails
Nickel Under Plated Over All
- Shell: Nickel Plated
- Rivet: Nickel Plated
- Board Lock: Tin Plated
- L Bracket: Nickel Plated
- Screw: Nickel Plated

(VGA 15F) SPECIFICATION:

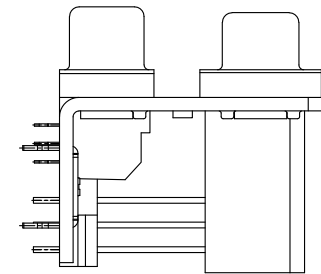
- Current Rating: 2 Amp
- Dielectric Withstanding Voltage: AC 500V For 1 minute
- Insulation Resistance: 5000M Ω Min
- Contact Resistance: 30m Ω Max.
- Operating Temperature: -55°C to +105°C

(DVI) SPECIFICATION:

- Current Rating: 1.5 Amp
- Dielectric Withstanding Voltage: AC 500V r.m.s. For 60S
- Insulation Resistance: 1000M Ω Min. at DC 500V For 60S
- Contact Resistance: 30m Ω Max.
- Operating Temperature: -20°C to 85°C



鉚合鎖螺絲型



鉚合型

僅供參考

XIAN YI PRECISION CO., LTD.
祥益精密股份有限公司

TITLE / 品名: VGA-15母座+DVI(母座) 90度 疊層 Dip Type (層距15.88)

PART NO / 料號: DE1122-1F1F-RXXXX

核準發行章

APPROVE / 核準	CHECKED / 審查	DRAWING / 繪圖	DRAWING NO / 圖號	UNIT / 單位	☉	☐
<i>Kin</i>	<i>Chenrong</i>	<i>Chenrong</i>	K-DV-001-00	mm	SHEET 1 OF 1	

NO.	REV / 版本	圖面僅供參考, 實際尺寸以承認圖為主	2025/12/19
		修訂內容	日期

A