

PCB LAYOUT

MATERIALS:

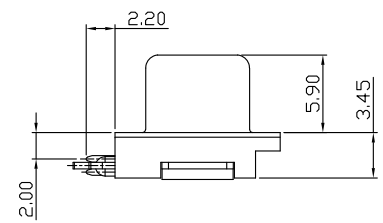
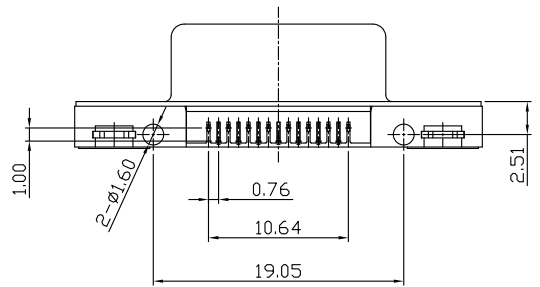
- 1. Housing: PBT (UL 94V-0), Blue
 - 2. Cover: PA66 (UL 94V-0), Blue
 - 3. Contacts: Brass
 - 4. Shell: SPCC
 - 5. Rivet: Copper Alloy (Lead \leq 40000PPM)
 - 6. Board Lock: SPCC
 - 7. Screw: SPCC
- Or Copper Alloy (Lead \leq 40000PPM)

FINISH:

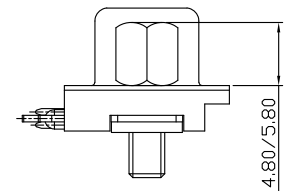
- 1. Contacts: Gold Flash Plated on Contact Area
Tin Plated on Solderails
Nickel Under Plated Over All
- 2. Shell: Nickel Plated
- 3. Rivet: Nickel Plated
- 4. Board Lock: Tin Plated
- 5. Screw: Nickel Plated

SPECIFICATION:

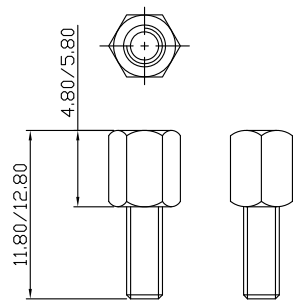
- 1. Current Rating: 1 Amp
- 2. Dielectric Withstanding Voltage: AC 500V For 1 minute
- 3. Insulation Resistance: 5000M Ω Min
- 4. Contact Resistance: 30m Ω Max.
- 5. Operating Temperature: -55°C to +105°C



鉚合型



鉚合鎖螺絲型



僅供參考

XIAN YI PRECISION CO., LTD.
祥益精密股份有限公司

TITLE / 品名: VGA 90度 15母 (板邊距2.0) Dip Type (排距1.0/前8P+後7P)

PART NO / 料號: D2410-15F-Rxxxx

核準發行章

APPROVE / 核準	CHECKED / 審查	DRAWING / 繪圖	DRAWING NO / 圖號	UNIT / 單位	☉	☐
<i>Kin</i>	<i>Chenrong</i>	<i>Chenrong</i>	A-0D-006-00	mm	SHEET 1 OF 1	

NO.	REV / 版本	圖面僅供參考, 實際尺寸以承認圖為主	2025/12/19
		修訂內容	日期