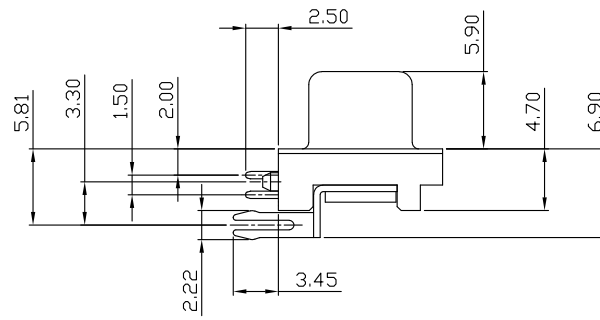
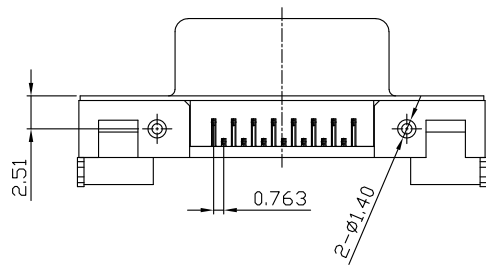


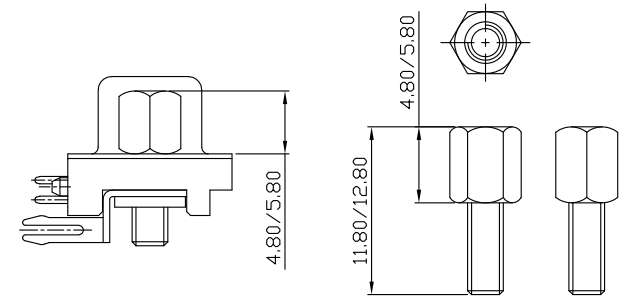
- MATERIALS:**
- Housing: PBT (UL 94V-0), Blue
 - Cover: PA66 (UL 94V-0), Blue
 - Contacts: Brass
 - Shell: SPCC
 - Rivet: Copper Alloy(Lead ≤ 40000PPM)
 - Board Lock: SPCC
 - Screw: SPCC
Or Copper Alloy(Lead ≤ 40000PPM)

- FINISH:**
- Contacts: Gold Flash Plated on Contact Area
Tin Plated on Solderails
Nickel Under Plated Over All
 - Shell: Nickel Plated
 - Rivet: Nickel Plated
 - Board Lock: Tin Plated
 - Screw: Nickel Plated

- SPECIFICATION:**
- Current Rating: 1 Amp
 - Dielectric Withstanding Voltage: AC 500V For 1 minute
 - Insulation Resistance: 5000MΩ Min
 - Contact Resistance: 30mΩ Max.
 - Operating Temperature: -55°C to +105°C



鉚合型



鉚合鎖螺絲型

僅供參考

XIAN YI PRECISION CO., LTD.
祥益精密股份有限公司

TITLE / 品名: VGA 90度 15母 (板邊距2.0) Dip Type (排距1.5/前8P+後7P)

核準發行章

PART NO / 料號: D2510-15F-Rxxxx

APPROVE / 核準	CHECKED / 審查	DRAWING / 繪圖	DRAWING NO / 圖號
<i>Kin</i>	<i>Chenrong</i>	<i>Chenrong</i>	A-0D-007-00

UNIT / 單位	☉	☐
mm	SHEET 1 OF 1	

NO.	REV / 版本	圖面僅供參考, 實際尺寸以承認圖為主	2025/12/19
		修訂內容	日期