

MATERIALS:

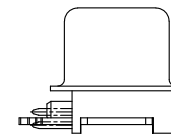
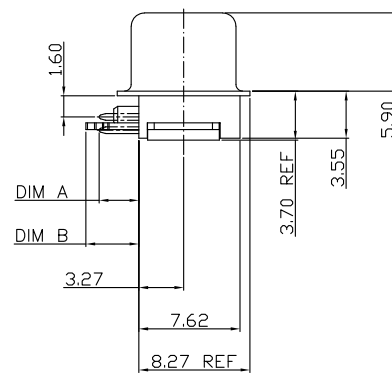
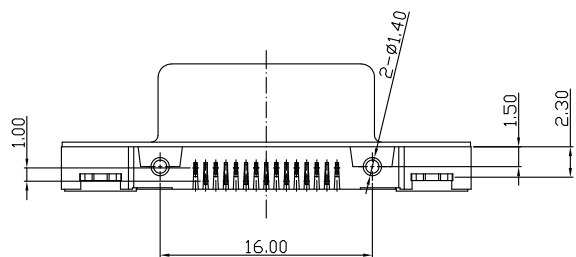
1. Housing: LCP (UL 94 V-0), Black
2. Contacts: Brass
3. Shell: SPCC
4. Rivet: Copper Alloy (Lead \leq 40000PPM)
5. Board Lock: Brass Or SPCC
6. Screw: SPCC

FINISH:

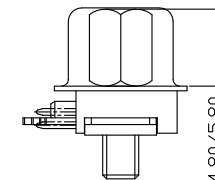
1. Contacts: Gold Flash Plated on Contact Area
Tin Plated on Solderails
Nickel Under Plated Over All
2. Shell: Nickel Plated
3. Rivet: Nickel Plated
4. Board Lock: Tin Plated
5. Screw: Nickel Plated

SPECIFICATION:

1. Current Rating: 1 Amp
2. Dielectric Withstanding Voltage: AC 500V For 1 minute
3. Insulation Resistance: 5000M Ω Min
4. Contact Resistance: 30m Ω Max.
5. Operating Temperature: -55°C to +105°C

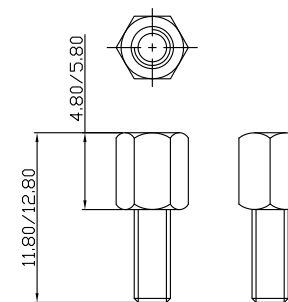


鉚合型



鉚合鎖螺絲型

僅供參考



NO	DIM A	DIM B
Type 1	2.10	2.55
Type 2	3.00	4.00

XIAN YI PRECISION CO., LTD.

祥益精密股份有限公司

TITLE / 品名: VGA 90度 15母 沉板 (板上3.27/板邊距1.6) Dip Type (鐵殼H=10.0 / Body H=7.62)

核准發行章

PART NO / 料號: D50210-15F-Rxxxx

APPROVE / 核准	CHECKED / 審查	DRAWING / 繪圖	DRAWING NO / 圖號
<i>Kin</i>	<i>Chenrong</i>	<i>Chenrong</i>	K-SM-018-00

UNIT / 單位	☉	◁
mm	SHEET 1 OF 1	

NO.	REV / 版本	圖面僅供參考, 實際尺寸以承認圖為主	2025/12/19
		修訂內容	日期