

PCB LAYOUT

MATERIALS:

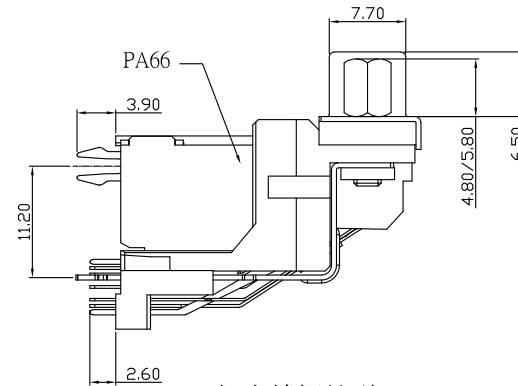
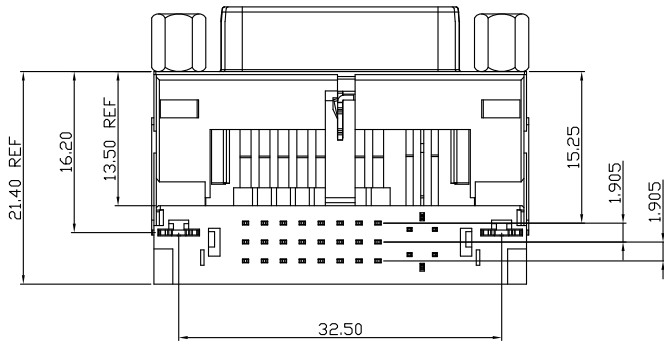
1. Housing: PA66 (UL 94V-0), White / Black
2. Bracket: PA66 (UL 94V-0), Black
3. Contacts: Brass
4. Shell: SPCC
5. Rivet: Copper Alloy(Lead ≤ 4000PPM)
6. Board Lock: SPCC
7. Screw: SPCC
Or Copper Alloy(Lead ≤ 4000PPM)

FINISH:

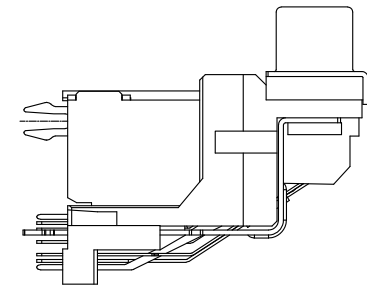
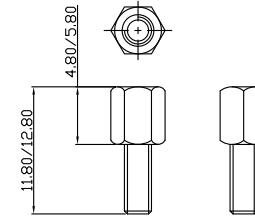
1. Contacts: Gold Flash Plated on Contact Area
Tin Plated on Soldertails
Nickel Under Plated Over All
2. Shell: Nickel Plated
3. Rivet: Nickel Plated
4. Board Lock: Tin Plated
5. Screw: Nickel Plated

SPECIFICATION:

1. Current Rating: 1.5 Amp
2. Dielectric Withstanding Voltage: AC 500V r.m.s. For 60S
3. Insulation Resistance: 1000MΩ Min. at DC 500V For 60S
4. Contact Resistance: 30mΩ Max.
5. Operating Temperature: -20°C to 85°C



鉚合鎖螺絲型



鉚合型

僅供參考

XIAN YI PRECISION CO., LTD.

祥益精密股份有限公司

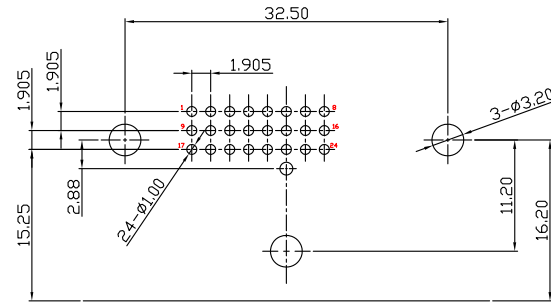
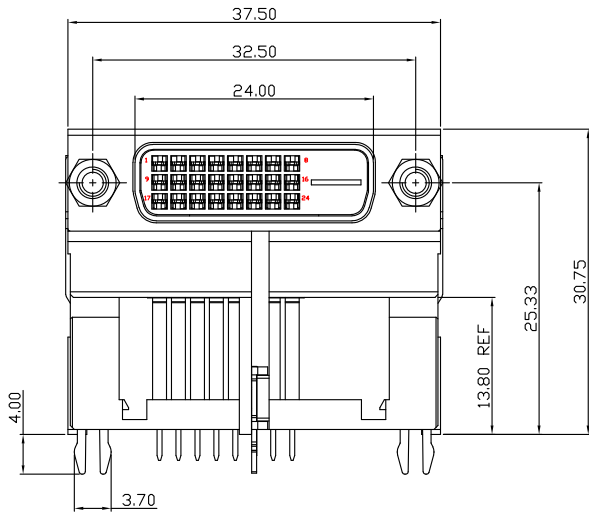
TITLE / 品名: DVI 90度 架高型 有隔板 DIP Type

PART NO / 料號: D34122-29F-Rxxxx

核準發行章

APPROVE / 核準	CHECKED / 審查	DRAWING / 繪圖	DRAWING NO / 圖號	UNIT / 單位	☉	X
<i>Kin</i>	<i>Chenrong</i>	<i>Chenrong</i>	K-OV-012-00	mm	SHEET 1 OF 1	

NO.	REV / 版本	圖面僅供參考, 實際尺寸以承認圖為主	2025/12/19
		修訂內容	日期



PCB LAYOUT

MATERIALS:

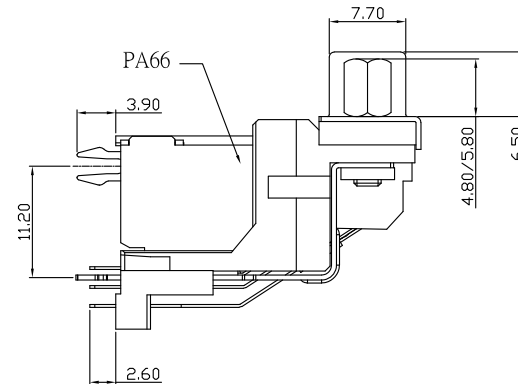
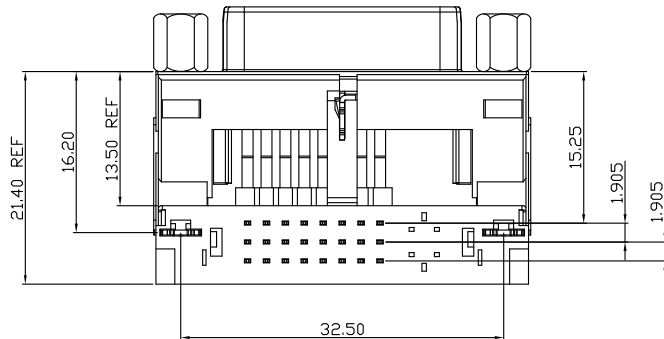
1. Housing: PA66 (UL 94V-0), White / Black
2. Bracket: PA66 (UL 94V-0), Black
3. Contacts: Brass
4. Shell: SPCC
5. Rivet: Copper Alloy(Lead \leq 40000PPM)
6. Board Lock: SPCC
7. Screw: SPCC
Or Copper Alloy(Lead \leq 40000PPM)

FINISH:

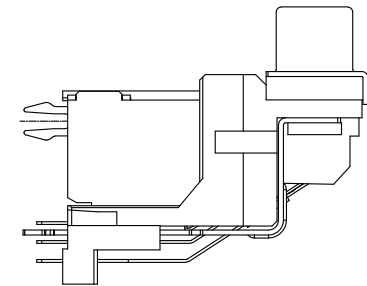
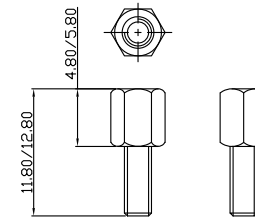
1. Contacts: Gold Flash Plated on Contact Area
Tin Plated on Soldertails
Nickel Under Plated Over All
2. Shell: Nickel Plated
3. Rivet: Nickel Plated
4. Board Lock: Tin Plated
5. Screw: Nickel Plated

SPECIFICATION:

1. Current Rating: 1.5 Amp
2. Dielectric Withstanding Voltage: AC 500V r.m.s. For 60S
3. Insulation Resistance: 1000M Ω Min. at DC 500V For 60S
4. Contact Resistance: 30m Ω Max.
5. Operating Temperature: -20°C to 85°C



鉚合鎖螺絲型



鉚合型

僅供參考

XIAN YI PRECISION CO., LTD.

祥益精密股份有限公司

TITLE / 品名: DVI 90度 架高型 有隔板 DIP Type

PART NO / 料號: D34122-24F-Rxxxx

核準發行章

APPROVE / 核準	CHECKED / 審查	DRAWING / 繪圖	DRAWING NO / 圖號	UNIT / 單位	☉	X
<i>Kin</i>	<i>Chenrong</i>	<i>Chenrong</i>	K-OV-012-00	mm	SHEET 1 OF 1	

NO.	REV / 版本	圖面僅供參考, 實際尺寸以承認圖為主	2025/12/19
		修訂內容	日期

NO.	REV / 版本	圖面僅供參考, 實際尺寸以承認圖為主	2025/12/19
		修訂內容	日期

NO.	REV / 版本	圖面僅供參考, 實際尺寸以承認圖為主	2025/12/19
		修訂內容	日期